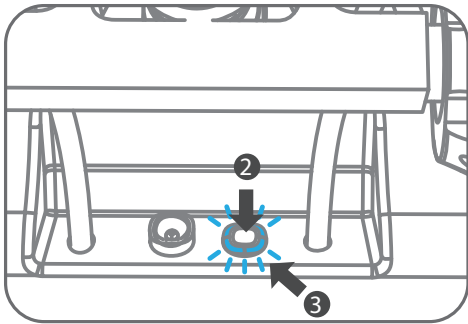
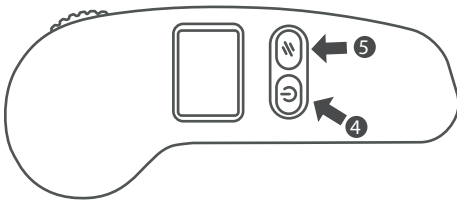


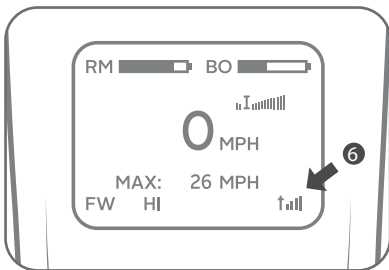
How to Pair Halo Board LCD Remote to Halo Board 2



- 1) Power on the Halo Board.
- 2) Once on, press and hold power button for 6-7 seconds.
- 3) Once you let go, the indicator light should begin blinking slowly.



- 4) Press and hold down the "Power" button while the remote turns on
- 5) While still holding down the power button, press the "Gear" button (right) 1 time to pair the remote.



- 6) The remote signal bar will fill and start to blink. You are now paired. The Board Battery indicator should also show your charge level.

Once paired, go ahead and place the cover back onto the board and secure the screws. If you have any questions, please contact our support team at support@haloboard.com